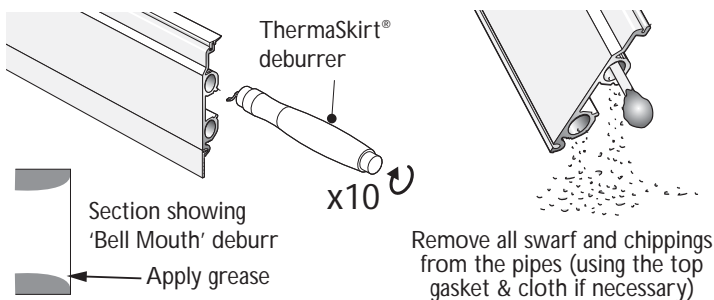


USE IN CONJUNCTION WITH YOUR MAIN THERMASKIRT® INSTALLATION INSTRUCTIONS

IMPORTANT: Unless the ThermaSkirt® has been supplied factory cut, it is **ESSENTIAL** that the skirting is deburred. 10 revolutions of the ThermaSkirt® de-burrer or similar de-burring tool is recommended. A 'Bell Mouth' chamfer of (approx.) 2mm x 2mm is best to enable ease of installation of connectors. Any swarf or chippings **MUST** be removed before inserting any fittings into the skirting's feed and return channels. Otherwise your **WARRANTY MAY BE INVALID!** (See main installation instructions for full details. To download, go to www.discreteheat.co.uk/technical.html).



DOUBLE TRV UNIT



Ensure that feed and return pipes are installed correctly. If replacing a radiator, one of the existing pipes will need to be extended (A) (go to www.discreteheat.co.uk/technical.html to download template). Make sure you allow for carpets or tiles if not Finished Floor Level (FFL). Installation can be from the floor or through the wall (B).

Connect the feed and return pipes to the TRV units (B). (Do not fix to the wall at this stage).

TOP TIP: When using Tectite push-on connectors leave just enough space between the connector and TRV bracket to insert a removal tool.

Working to one side of the double TRV unit, insert the corner connectors to the opposite end of the first length of skirting, making sure to push the **long length** of the connectors fully into the skirting.

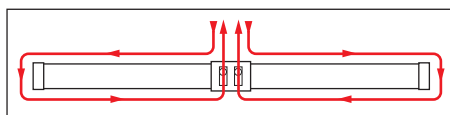
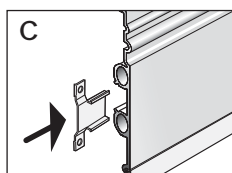
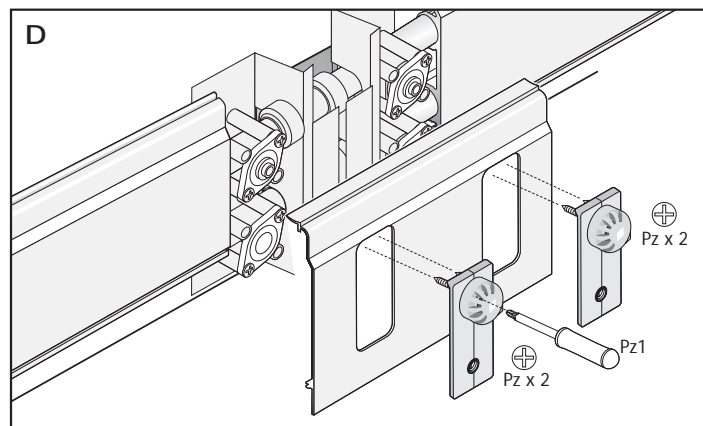
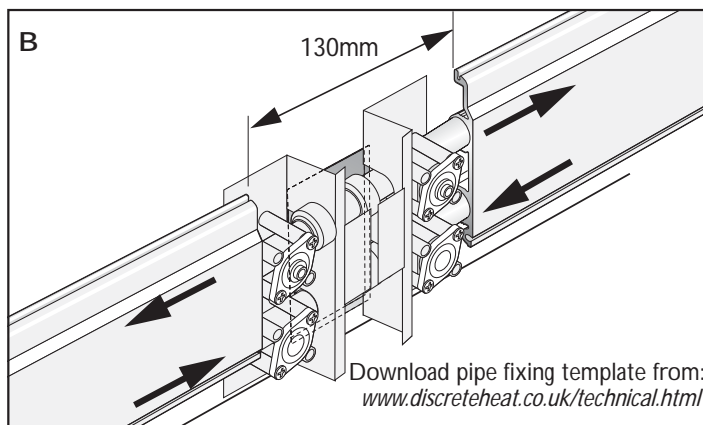
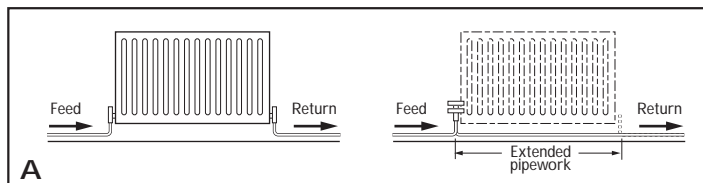
USE THE SILICON GREASE PROVIDED!

Push the first section of skirting onto the mounting brackets, **first click only**. (See main installation leaflet).

Fit a connector clip fully into the TRV end of the skirting (C), then slide the ThermaSkirt® section to engage with the TRV valve units (or oval connectors, if remote thermostatic controls are being used). The connector clip should engage to the rear of the TRV and secure the TRV valves/connectors in position.

When fully inserted and you're happy, push the ThermaSkirt® section back to the wall, fully engaging on the mounting brackets.

Follow the same procedure on the other TRV unit, then secure the TRV bracket to the wall and fit the cover plate to the bracket (D). This is done by screwing the captive screws behind the TRV knob into the thermostat valve. Do NOT overtighten when fixing the TRV plate to the wall. Special TRV covers may be required in some installations. Download a template from: www.discreteheat.co.uk/technical.html



The TRV unit is supplied in the OFF position. Once the system has been installed, tested and ready to commission, the TRV should be fully opened (E).

